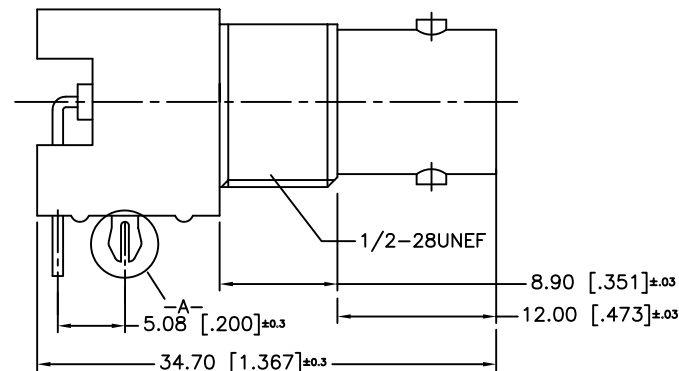
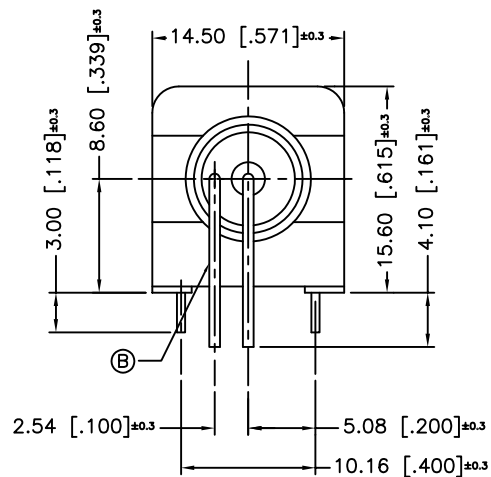
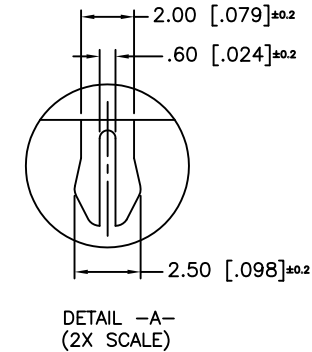
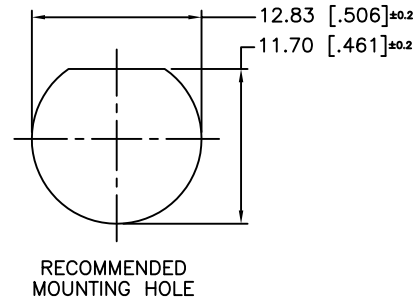
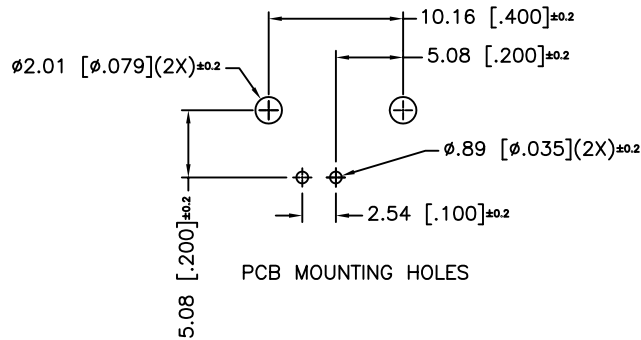


REV.	DATE	ECR NO	DESCRIPTION
A	02/12/04	--	UPDATE DRAWING FORMAT/ MODIFY BODY
B	06/28/07	--	REVISE BACK HOUSING SHOWING CONTACT PINS CAPTIVATED
C	02/05/10	2012	HARDWARES REMOVED



NOTE:  
1. MAX. PANEL THICKNESS = 5mm

DESCRIPTION	MATERIAL	FINISH	QTY	UNLESS OTHERWISE SPECIFIED DIMENSIONS ARE IN MILLIMETERS. DIMENSIONS IN [ ] ARE IN INCHES AND FOR CUSTOMER REFERENCE ONLY.	APPROVALS	DATE	Amphenol Connex							
5	MOUNTING POST	BRASS	TIN PLATE	1	UNLESS OTHERWISE SPECIFIED TOLERANCES FOR MILLIMETERS ARE: 0.5 - 8mm ± 0.20mm 8 - 30mm ± 0.40mm 30 - 120mm ± 0.50mm  UNLESS OTHERWISE SPECIFIED TOLERANCES FOR INCHES ARE: .020 - .315 = ± 0.007" .315 - 1.180 = ± 0.015" 1.180 - 4.724 = ± 0.020"  DO NOT SCALE DRAWING	DRAWN	CLEMENT	02/05/10	PART DESCRIPTION <b>BNC R/A PC MOUNT RECEPT. JACK</b>					
4	CONTACT PIN	PHOS. BRONZE	GOLD	1		CHECKED								
3	INSULATOR	P.P.	NATURAL	1		ISSUED								
2	BODY	ZINC DIE CAST	NICKEL	1		SHEET	1 OF 1	PART NO. <b>112414</b>						
1	HOUSING	P.B.T.	BLACK	1		CAD FILE	C:/112/112414.DWG	DWG. NO.	112414.DWG	REV.	C	SIZE	A	SCALE